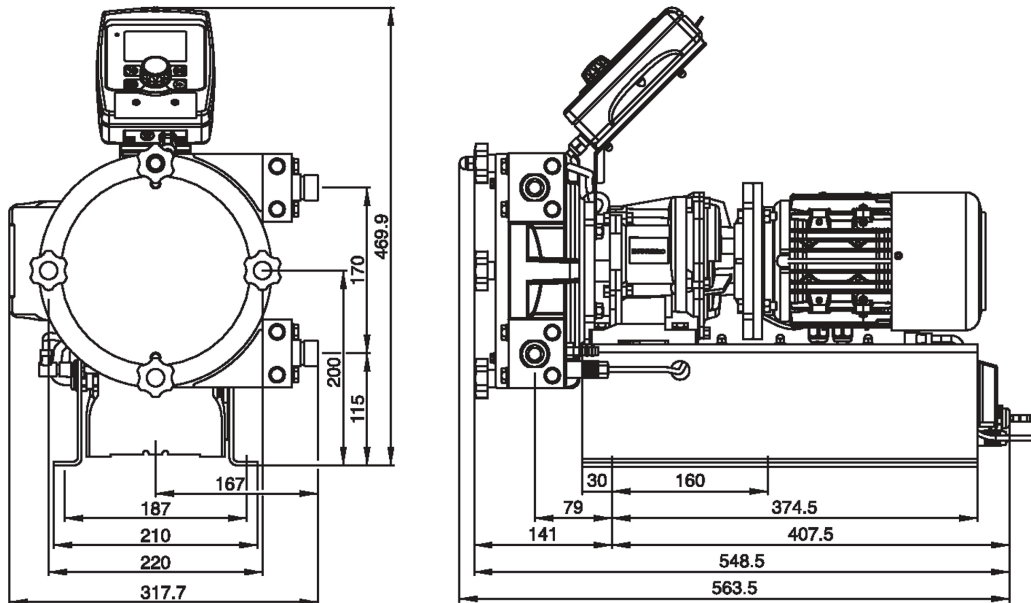


Peristaltic metering pump DULCOFLEX DFYa

The peristaltic pump DULCOFLEX DFYa combines the properties of top products from the ProMinent product range



Exemplary representation. The dimensions depend on the configuration chosen.

The valveless peristaltic pump DULCOFLEX DFYa guarantees precise, linear and reproducible metering in all process conditions. It meters gaseous, viscose, shear-sensitive media, possibly containing particles, with ease – ProMinent is therefore setting new standards in metering with peristaltic pumps.

Technical Details

- Illuminated 3" LCD and 3-LED display for operating, warning and error messages, visible from all sides
- Adjustable feed rate of between 5.1 l/h and 410 l/h
- Batch operation with max. 999.9 l/pulse
- Connector for 2-stage level switch
- Optional relay module with 1 x switch-over contact, 230 V – 6 A
- Optional relay module with 2 x On, 24 V – 100 mA
- DULCONNEX-capable



PeristalticPump.ir



Peristaltic metering pump DULCOFLEX DFYa

The peristaltic pump DULCOFLEX DFYa combines the properties of top products from the ProMinent product range

Technical Data

Type	Maximum back pressure bar	Delivery rate	Frequency rpm	Connection size	Suction lift m WC	Shipping weight kg
04410	4	410 l/h ±10 %	80	3/4"	8	30
06410	6	410 l/h ±10 %	80	3/4"	8	30
08410	8	410 l/h ±10 %	80	3/4"	8	30

Hose material:	NR, NBR, EPDM, NBR-A, Hypalon
Self-priming:	Up to 8 m
Rollers/shoes:	Rollers
Metering reproducibility:	± 2 % ±25ml with retracted hose after 500 revolutions
Electrical connection:	100 - 230 V ±10%, 50/60 Hz
Electrical power consumption:	Max. 400 W
Degree of protection:	IP 55
Permissible ambient temperature:	0 ... 45 °C

All data calculated with water at 20 °C.

PeristalticPump.ir